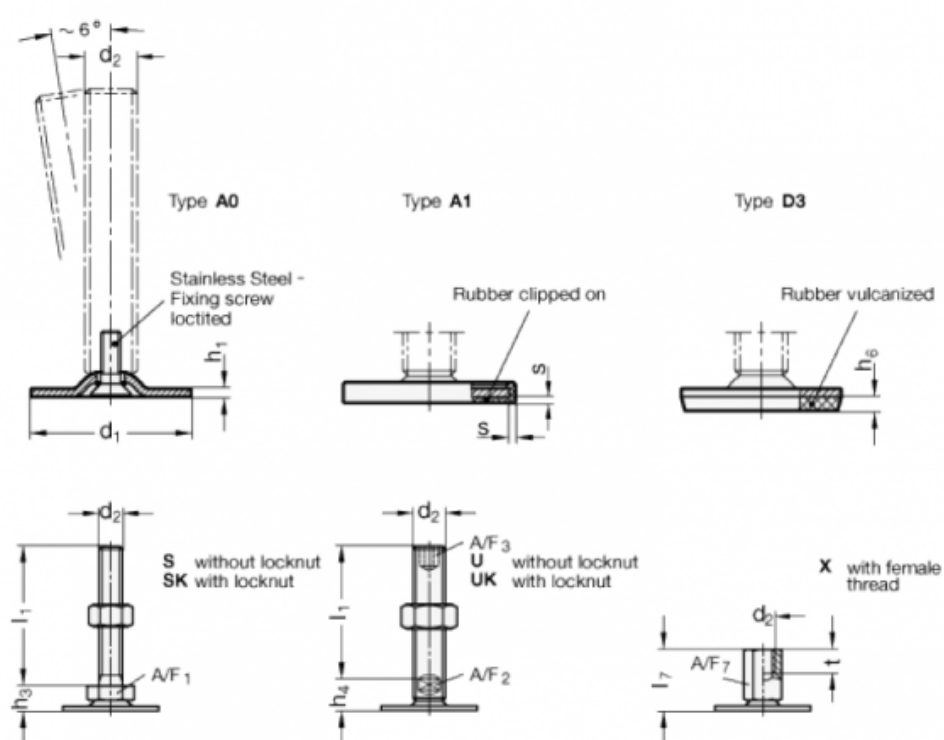


Article number: 204050M12125A3SK

Description: E+G levelling foot
GN 40-50-M12-125-A3-SK

Note: SK With nut, External hexagon at the bottom

Measures



A/F1	=	17
d1	=	50
d2	=	M12
h1	=	2.5
h3	=	11
h6	=	4
l1	=	125
s	=	